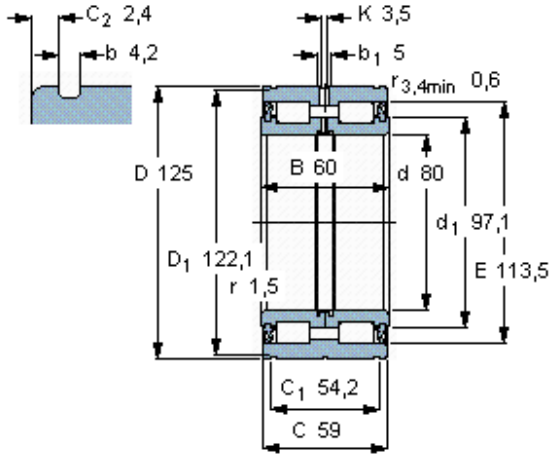


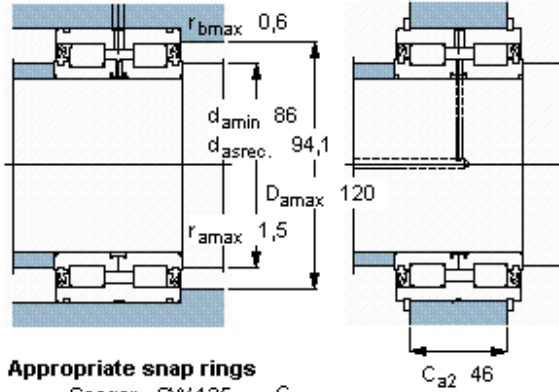
Cylindrical roller bearings, double row full complement

Principal dimensions			Basic load ratings		Speed ratings	Limiting speed	Designation
d	D	B	dynamic C	static C0	Reference speed		
mm			kN		r/min		-
80	125	60	216	335	-	1000	NNF 5016 ADB-2LSV



**Calculation factor**

$k_r$  0,4



**Appropriate snap rings**

Seeger SW 125  $C_{a1}$   
 DIN 471 125x4  $C_{a2}$